

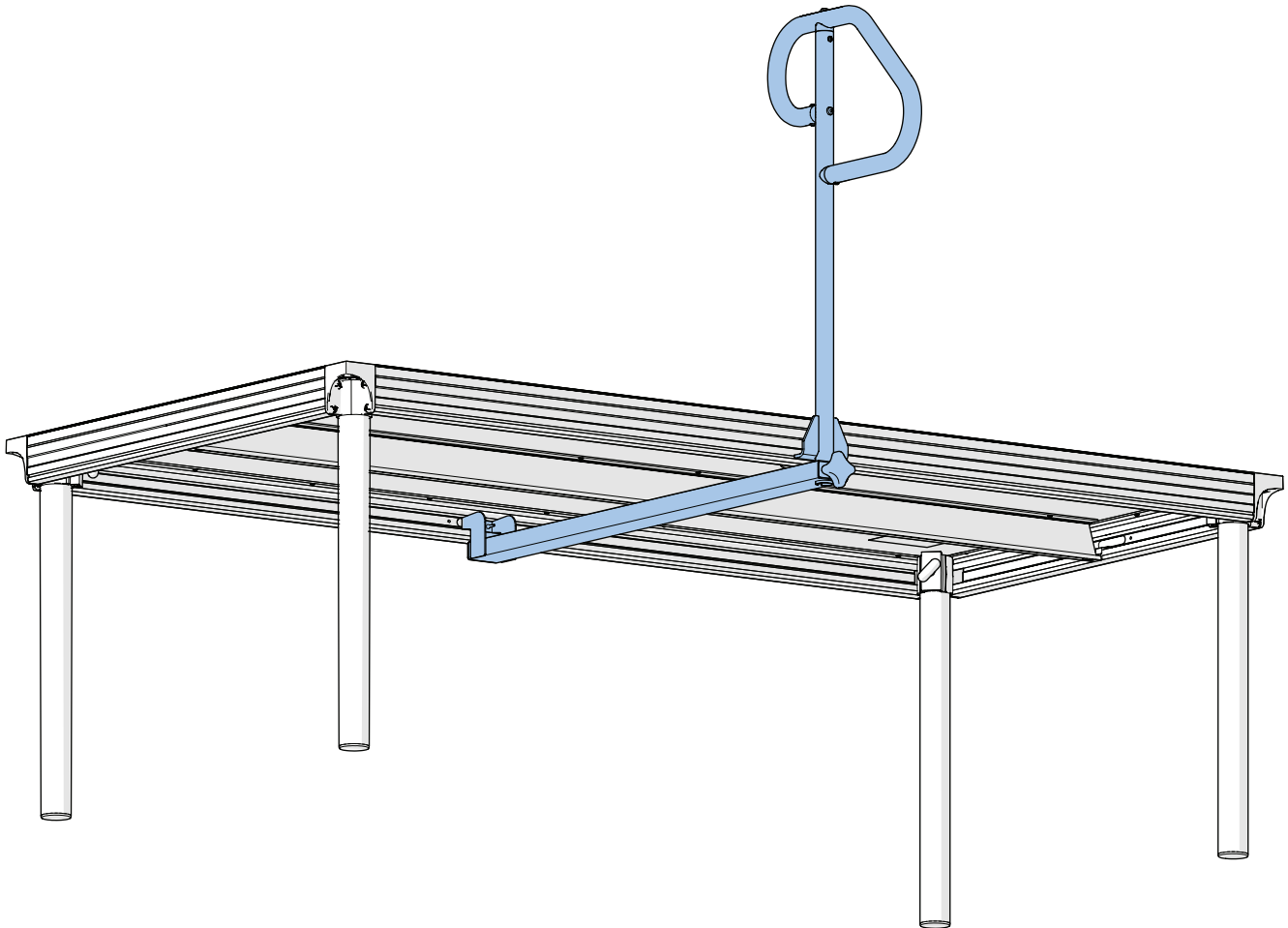


# Mid-Aisle Handrail Accessory for StageTek® Staging System

**Basic Instructions only!**  
For more detailed product information, refer to the StageTek Staging System Owner's Manual 280A099.

**CAUTION**  
*Make sure anyone assembling or installing StageTek components has read and understands the instructions.*

**CAUTION**  
*Always comply with Warnings or Cautions in the instructions or posted on the equipment.*

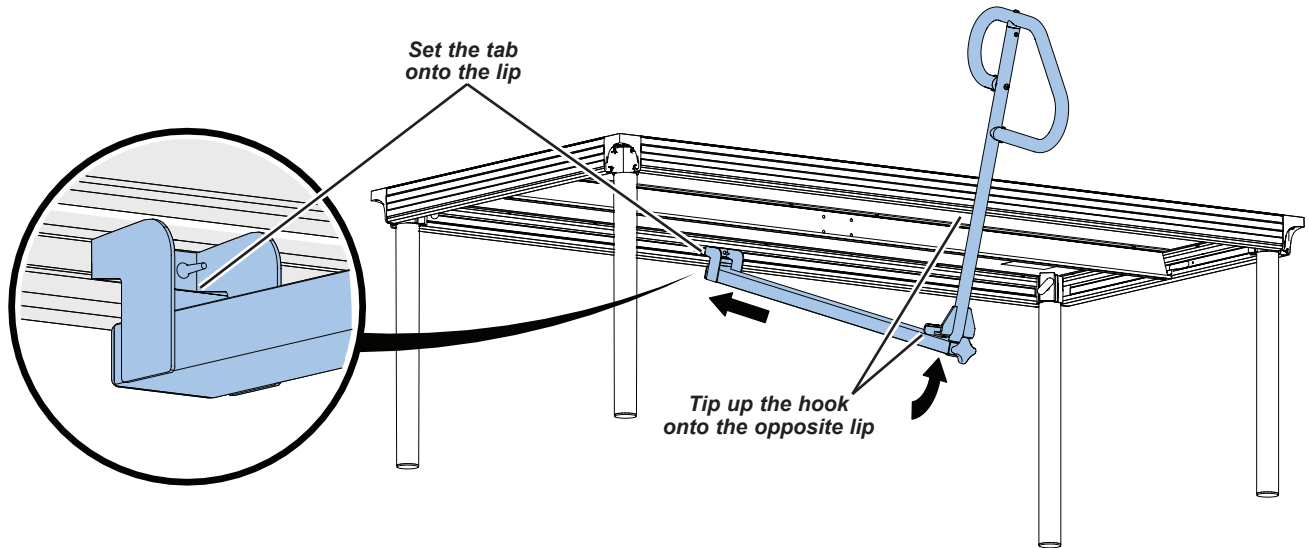


Visit the StageTek Staging System web page at [wengercorp.com](http://wengercorp.com) for more information.

**Note:** Please read and understand these instructions before assembling or setting up.  
**Note:** If you need additional information, contact Wenger Corporation using the information below.

## Assembly

1. Set the tab at the end of the handrail onto the lip at the underside of the deck frame.
2. Tip the opposite end of the handrail up to position the hook onto lip at the opposite underside of the deck frame.



3. **With the handrail square to the deck frame:**

Tighten the handle to secure both the hook against the inside deck frame and the front bracket into the channel at the bottom of outside deck frame.

**Hand-tighten only!**

